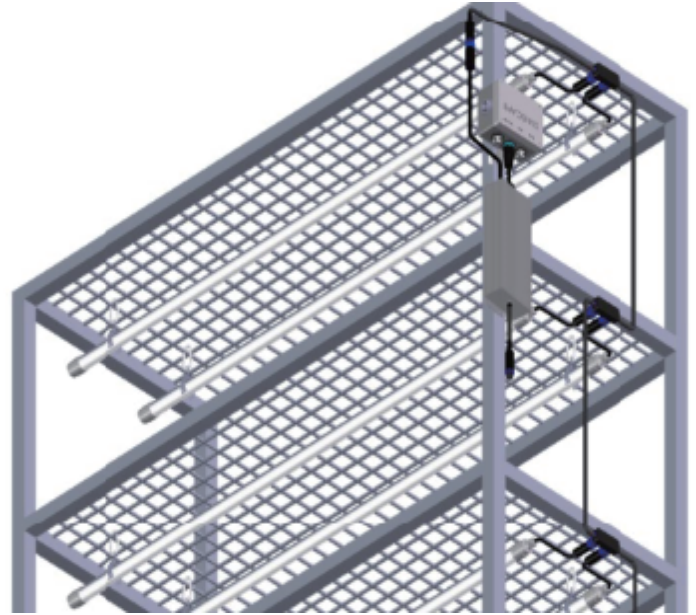
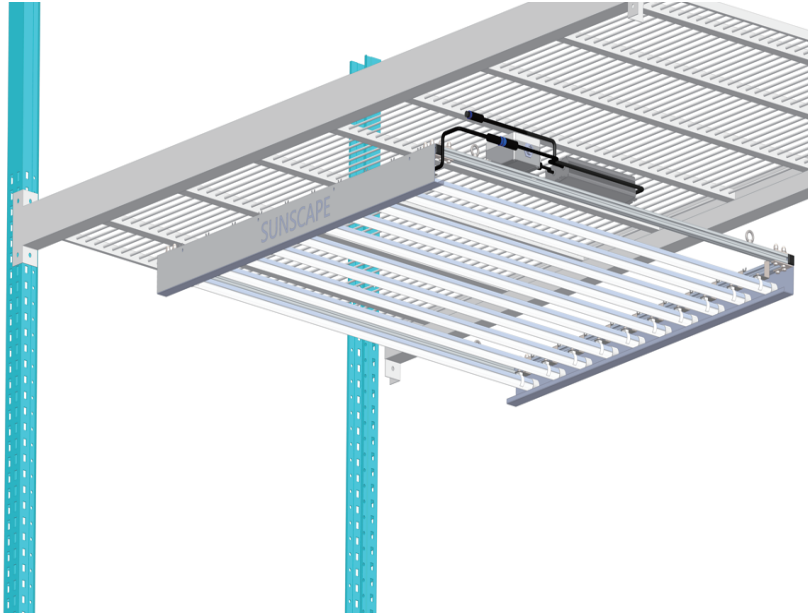
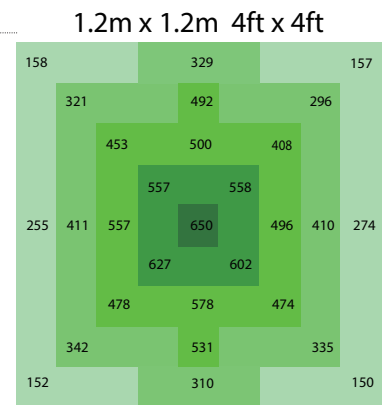


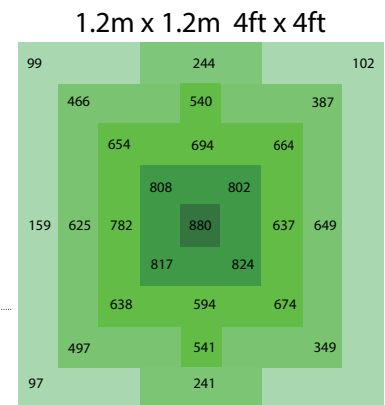
Saber PRO Light Panels



SKU	PA-1-300-GM-120-T8
Power Consumption (initial/holding)	320Watts /308Watts
HPS Equivalent (wattage)	600 Watts
Input Voltage	
Typical Current	1.16A (@277V) 1.33A (@240V) 1.54A (@208V) 2.67A (@120V)
Power Factor	>92%
Lumen/watts	172.6
PPF/J	2.6
PHoton flu(umol/s)	780
Light Distribution	120°
Dimming	0-10v
Light Management	L70>150,000hrs
Total Number of LEDs	176 LEDs x 10
Fixture Weight	19.6 lbs
Dimensions (inches)	47.3"L x 43.5"W x 5"H



PA-1-GM-320-120-T8 320W
12" 30cm

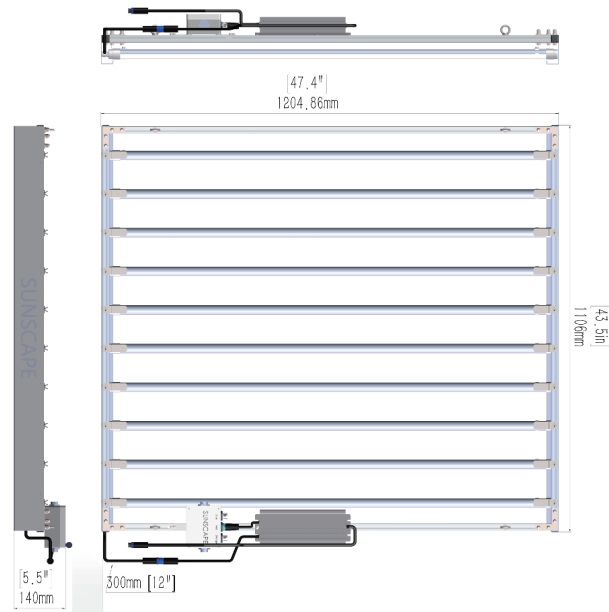


PA-1-GM-320-120-T8 320W
6" 15cm

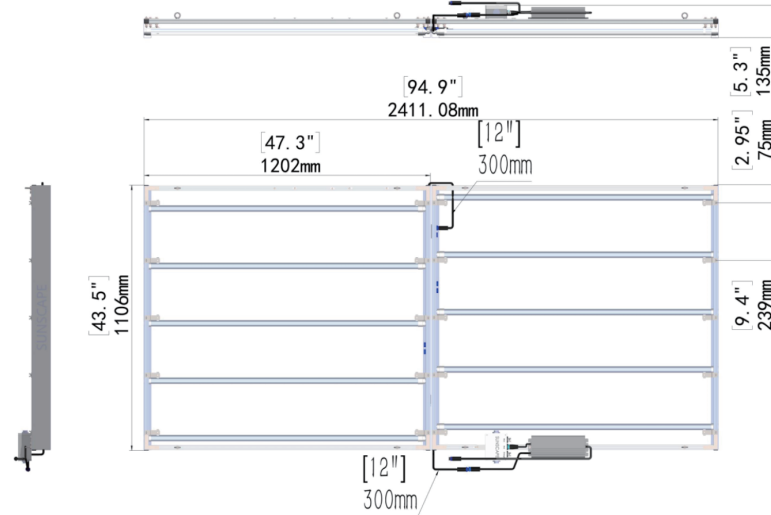
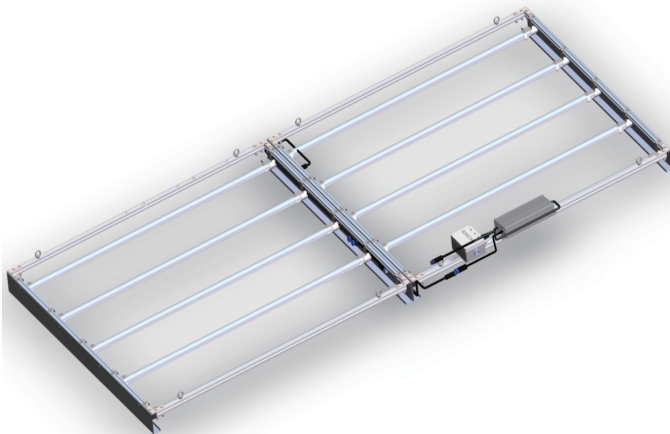
FAMILY	INPUT VOLTAGE	Input Power	SPECURM	Night Distribution	DC EXTENSION	AC PLUG	MOUNTING
PA	1 100-277V	300 300W	GM	120	05 16ft(5m) 10 32ft(10m) 20 64ft(20m)	N5 NEMA 5-15P N6 NEMA 6-15P L7 NEMA L7-15P	F Std. frame C Custom



HORIZONTAL ARRAY LAYOUT: 4' x 4'
 10 lamps planted 4' x 4'
 The DC wire is inside the lamp



HORIZONTAL ARRAY LAYOUT: 4' x 8'
 10 lamps planted 4' x 8'
 The DC wire is inside the lamp



VERTICAL ARRAY LAYOUT: 4' x 1.5'
 10 lamps are planted in 5 layers,
 2 lamps on each layer are planted 4' x 1.5'
 The DC cable is outside and requires additional installation

